

Clamping Screws

Steel / Stainless Steel, with / without Protective Cap

SPECIFICATION

Types

- Type **A**: Without protective cap
- Type **B**: With protective cap

Version in Steel

Hex head screw ISO 4017 / DIN 933
Tensile strength class 8.8
zinc plated, blue passivated

Hex nuts ISO 4032
zinc plated, blue passivated

Version in Stainless Steel

Stainless Steel AISI 304 **NI**

- Hex head screw ISO 4017 / DIN 933
- Hex nuts ISO 4032

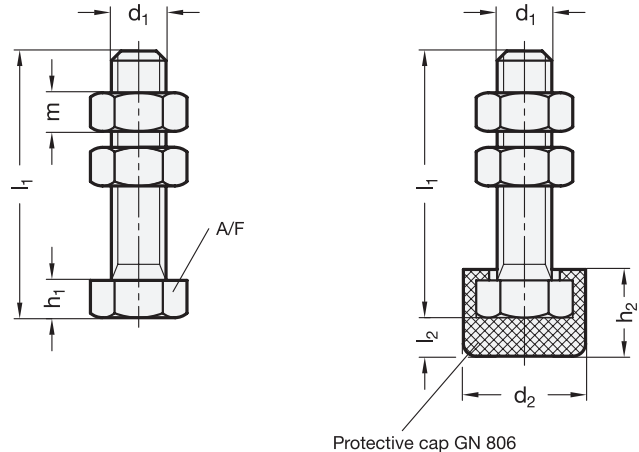


INFORMATION

The two hex nuts are included parts of the order.

TECHNICAL INFORMATION

- Protective caps GN 806 (see page 923)
- Stainless Steel Characteristics (see page A26)
- Strength values of screws / nuts (see page A20)



* Complete with type index of the toggle clamp spindle assemblies

- | | |
|------------------------|---------------------|
| A | B |
| without protective cap | with protective cap |

GN 807

Description	d1	l1	d2	h1	h2	l2	m	A/F	⚖️
GN 807-M4-23-*	M 4	23	11	3	6.5	2.5	3.2	7	5
GN 807-M5-38-*	M 5	38	12.5	3.5	8	2.5	4.7	8	9
GN 807-M6-29-*	M 6	29	15	4	10	4	5.2	10	11
GN 807-M6-49-*	M 6	49	15	4	10	4	5.2	10	16
GN 807-M8-36-*	M 8	36	19	5.5	13	5.5	6.8	13	24
GN 807-M8-56-*	M 8	56	19	5.5	13	5.5	6.8	13	26
GN 807-M8-96-*	M 8	96	19	5.5	13	5.5	6.8	13	43
GN 807-M10-43-*	M 10	43	24	6.5	16	7	8.4	16	47
GN 807-M10-77-*	M 10	77	24	6.5	16	7	8.4	16	65
GN 807-M10-127-*	M 10	127	24	6.5	16	7	8.4	16	92
GN 807-M12-53-*	M 12	53	26	7.5	19	8.5	10.8	18	75
GN 807-M12-88-*	M 12	88	26	7.5	19	8.5	10.8	18	106
GN 807-M12-128-*	M 12	128	26	7.5	19	8.5	10.8	18	139
GN 807-M14-54-*	M 14**	54	-	9	-	-	12.8	21	109

GN 807-NI

STAINLESS STEEL

Description	d1	l1	d2	h1	h2	l2	m	A/F	⚖️
GN 807-M4-23-*-NI	M 4	23	11	3	6.5	2.5	3.2	7	4
GN 807-M5-38-*-NI	M 5	38	12.5	3.5	8	2.5	4.7	8	8
GN 807-M6-29-*-NI	M 6	29	15	4	10	4	5.2	10	11
GN 807-M6-49-*-NI	M 6	49	15	4	10	4	5.2	10	17
GN 807-M8-36-*-NI	M 8	36	19	5.5	13	5.5	6.8	13	24
GN 807-M8-56-*-NI	M 8	56	19	5.5	13	5.5	6.8	13	30
GN 807-M8-96-*-NI	M 8	96	19	5.5	13	5.5	6.8	13	43

** Clamping screw M14 is not available as type B (with protective cap) | Weight type A